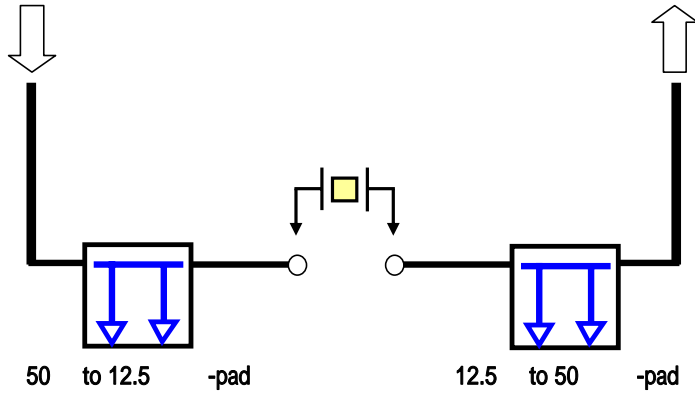

ESR vs. Insertion Loss transform



** ESR ==> I. L. (Insertion Loss)

ESR	I. L.	ESR	I. L.	ESR	I. L.	ESR	I. L.	ESR	I. L.	ESR	I. L.
[]	[dB]	[]	[dB]	[]	[dB]	[]	[dB]	[]	[dB]	[]	[dB]
0	0										
1	0.341	41	8.432	81	12.547	121	15.328	161	17.431	201	19.123
2	0.668	42	8.563	82	12.629	122	15.388	162	17.478	202	19.162
3	0.984	43	8.691	83	12.710	123	15.446	163	17.524	203	19.200
4	1.289	44	8.818	84	12.790	124	15.505	164	17.570	204	19.238
5	1.584	45	8.943	85	12.869	125	15.563	165	17.616	205	19.276
6	1.868	46	9.066	86	12.948	126	15.621	166	17.662	206	19.313
7	2.144	47	9.188	87	13.026	127	15.678	167	17.707	207	19.351
8	2.411	48	9.308	88	13.103	128	15.735	168	17.752	208	19.388
9	2.671	49	9.426	89	13.179	129	15.792	169	17.797	209	19.426
10	2.923	50	9.542	90	13.255	130	15.848	170	17.842	210	19.463
11	3.167	51	9.657	91	13.330	131	15.904	171	17.886	211	19.499
12	3.405	52	9.771	92	13.405	132	15.959	172	17.931	212	19.536
13	3.637	53	9.883	93	13.479	133	16.014	173	17.975	213	19.573
14	3.862	54	9.994	94	13.552	134	16.069	174	18.018	214	19.609
15	4.082	55	10.103	95	13.625	135	16.124	175	18.062	215	19.645
16	4.297	56	10.211	96	13.697	136	16.178	176	18.105	216	19.682
17	4.506	57	10.317	97	13.768	137	16.232	177	18.148	217	19.718
18	4.711	58	10.423	98	13.839	138	16.285	178	18.191	218	19.753
19	4.910	59	10.527	99	13.910	139	16.338	179	18.234	219	19.789
20	5.105	60	10.630	100	13.979	140	16.391	180	18.276	220	19.825
21	5.296	61	10.731	101	14.049	141	16.443	181	18.319	221	19.860
22	5.483	62	10.832	102	14.117	142	16.496	182	18.361	222	19.895
23	5.666	63	10.931	103	14.185	143	16.547	183	18.402	223	19.930
24	5.845	64	11.029	104	14.253	144	16.599	184	18.444	224	19.965
25	6.021	65	11.126	105	14.320	145	16.650	185	18.486	225	20.000
26	6.193	66	11.222	106	14.387	146	16.701	186	18.527	226	20.035
27	6.361	67	11.317	107	14.453	147	16.752	187	18.568	227	20.069
28	6.527	68	11.411	108	14.518	148	16.802	188	18.609	228	20.104
29	6.689	69	11.504	109	14.583	149	16.852	189	18.649	229	20.138
30	6.848	70	11.596	110	14.648	150	16.902	190	18.690	230	20.172
31	7.005	71	11.687	111	14.712	151	16.951	191	18.730	231	20.206
32	7.159	72	11.777	112	14.776	152	17.001	192	18.770	232	20.240
33	7.310	73	11.866	113	14.839	153	17.050	193	18.810	233	20.274
34	7.458	74	11.954	114	14.901	154	17.098	194	18.850	234	20.307
35	7.604	75	12.041	115	14.964	155	17.147	195	18.890	235	20.341
36	7.748	76	12.128	116	15.026	156	17.195	196	18.929	236	20.374
37	7.889	77	12.213	117	15.087	157	17.243	197	18.968	237	20.407
38	8.028	78	12.298	118	15.148	158	17.290	198	19.007	238	20.440
39	8.165	79	12.382	119	15.208	159	17.338	199	19.046	239	20.473
40	8.299	80	12.465	120	15.269	160	17.385	200	19.085	240	20.506