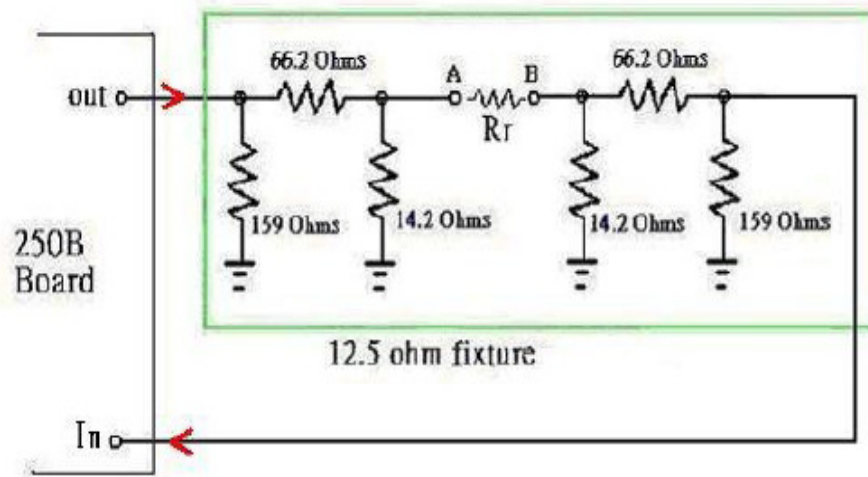


The measurement of quartz crystal units is based on PI Network as below.

Standardized in IEC 444

The quartz crystal parameters are determined by mathematical algorithms from measured data.

Such as C_0, C_1, L_1, R_1



PI Network